

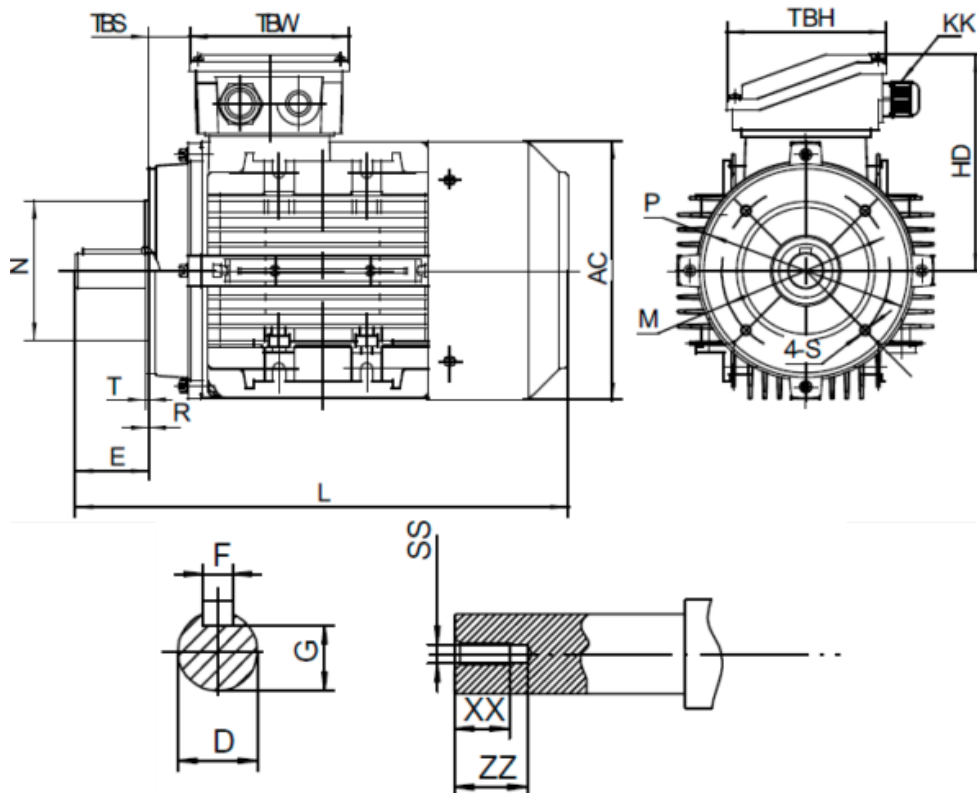
Data Sheet



Article number: 25180185022540

Description: Kleedrive T3A 160L-2 18.5kw 2800 rpm UL/CSA
3x400/690V 50 HZ IP55 B5 Eff=92,4%

Measures



| | | |
|-----------|-------------|-----------|
| AA = 314 | L = 616/660 | TBH = 148 |
| AC = Ø314 | M = Ø215 | TBS = 64 |
| AD = 391 | N = Ø180 | TBW = 148 |
| D = Ø42 | P = Ø250 | XX = 36 |
| E = 110 | R = 0 | ZZ = 45 |
| F = 12 | S = M12 | |
| G = 37 | SS = M16 | |
| HD = 231 | T = 4 | |